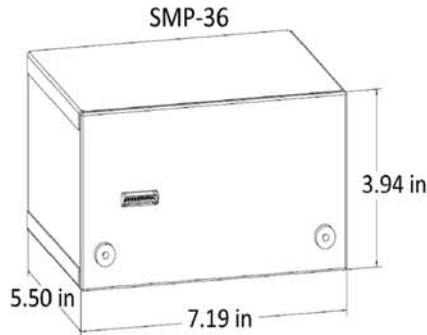
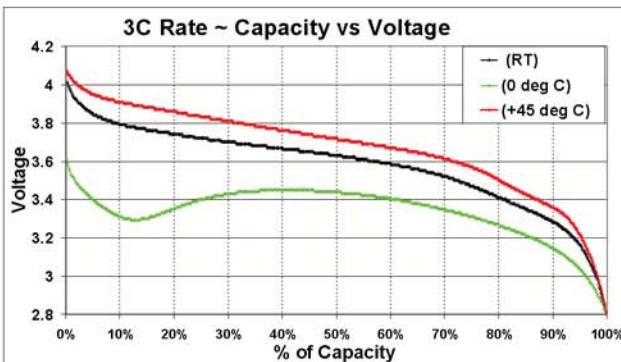
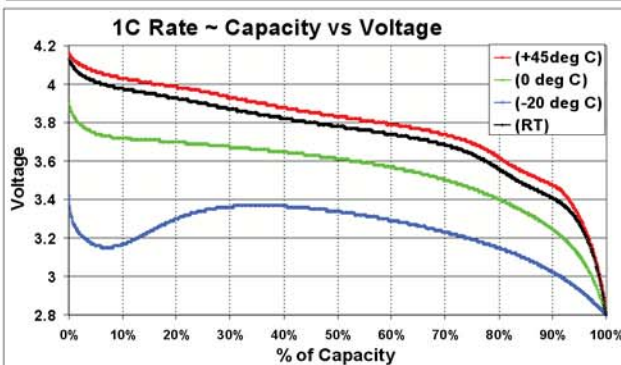
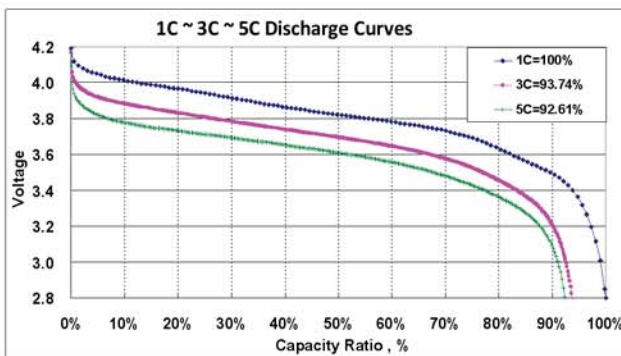


Gold Peak Rechargeable Lithium Manganese Oxide (LiMn₂O₄) Battery



SMP-36 (30A) Module

- RoHS Compliant
- UN/DOT Certified
- Molex Sherlock (BMS Connection)
- Redfish Thermistor (imbedded)
- Aircraft Aluminum Cases
- 10-32 Brass Terminals



Electrical Specifications

| | |
|------------------------|--------------------------------|
| Nominal Voltage: | 22.8 V (6S @ 3.8V) |
| Nominal Capacity (1C): | 30 Ah / 684 Wh |
| Standard Discharge: | 30 A (1C) |
| Max Cont. Discharge: | 90 A (3C) |
| Max Peak Discharge: | 150 A (5C <30s) |
| Discharge termination: | 18 V (recommended) |
| Charge Algorithm: | CC/CV to 25.2 V, < 1.5 A taper |
| Standard Charge: | 6 A (0.2C) ~ 5 to 7 hours |
| Fast Charge: | 30 A (1C) ~ 2.5 hours |
| Charge Voltage: | 25.2 V +/-50 mV |
| Specific Energy: | 132 Wh/kg |
| Energy Density: | 278 Wh/l |
| AC Impedance: | <2 mOhms (1kHz) |
| Specific Power: | 660 W/kg (5C rate) |
| Power Density: | 1390 W/l (5C rate) |

Mechanical Specifications

| | |
|-------------|--------------------------|
| Dimensions: | 3.94"L x 7.19"W x 5.50"H |
| Mass: | 5.18 Kg / 11.43 lbs |

Temperature Specifications

| | |
|-------------------|----------------|
| Discharge Temp: | -20°C to +60°C |
| Std Charge Temp: | 0°C to +45°C |
| Fast Charge Temp: | 10°C to +45°C |
| Storage Temp: | -20°C to 45°C |

Cycle Life Specifications

| | |
|------------------|--|
| Cycle Life (1C): | 1800 cycles ~ 70% of Initial, 100% DOD |
|------------------|--|

Cells • Modules • Industrial Packs • BMS • Chargers • Total Design

Manufacturer reserves the right to alter or amend the design, model and specification without prior notice.