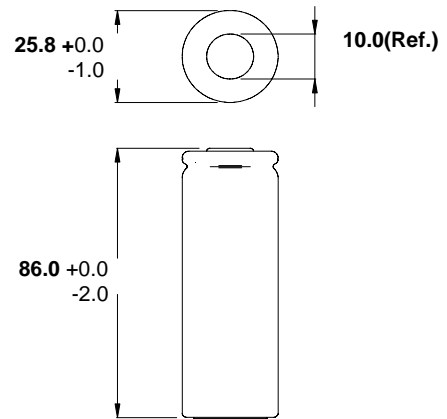
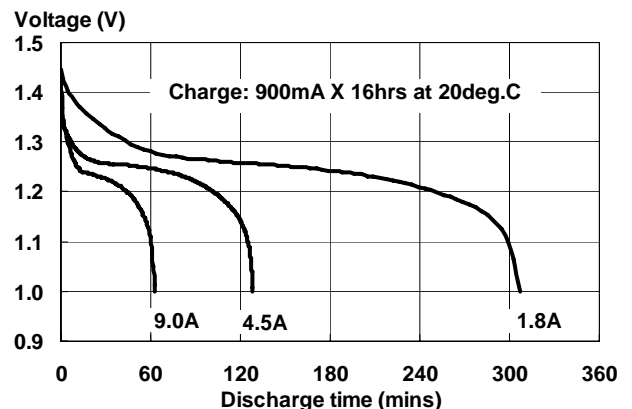


Model No.: GP900CH

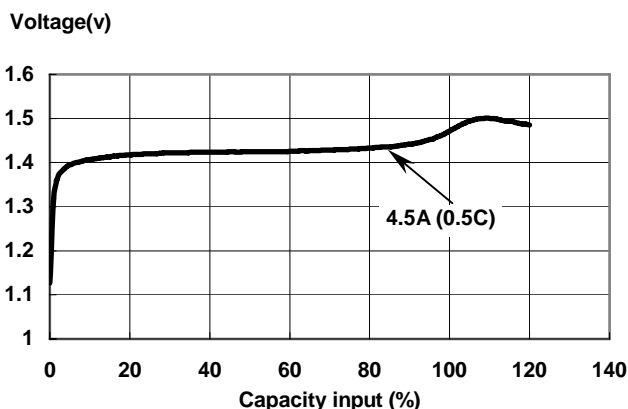


Type	: Rechargeable Nickel Metal Hydride Cylindrical Cell
Nominal Dimension (with Sleeve)	: $\Phi = 25.8\text{mm}$ H = 86.0mm
Applications	: Recommended discharge current 1800mA to 27A
Nominal Voltage	: 1.2V
Capacity	: Nominal: 9000mAh Minimum: 9000mAh Typical: 9450mAh When discharged at 0.2C to 1.0V at 20°C
Charging Condition	: 900mA for 16 hrs at 20°C
Fast Charge	: 1.8A to 4.5A (0.2C to 0.5C) With charge termination control Recommended control parameters: - ΔV : 0-5mV dT/dt : 0.8°C/min (0.5 to 0.9C) 0.8 - 1.0°C/min (1C) TCO : 40 - 50°C Timer : 105% nominal input (For ref. only)
Service Life	: >500 cycles (IEC 61951-2)
Continuous Overcharge	: 900mA maximum current for 1 year. No conspicuous deformation and/or leakage
Weight	: 164g
Internal Resistance	: Average 6m Ω upon fully charged (Range 4 - 8m Ω) at 1000Hz
Max. Charging Voltage	: 1.5V at 900mA charging
Ambient Temperature Range	: Standard Charge : 0 to 40°C Fast Charging : 10 to 45°C Discharge : -20 to 50°C Storage : -20 to 35°C Storage (1 week): -20 to 60°C

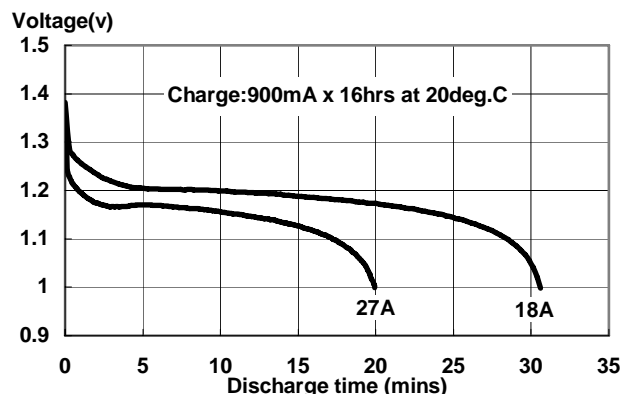
Low Rate Discharge



Fast Charge (charge control required)



High Rate Discharge



The information (subject to change without prior notice) contained in this document is for reference only and should not be used as a basis for product guarantee or warranty. For applications other than those described here, please consult your nearest GP Sales and Marketing Office or Distributors.