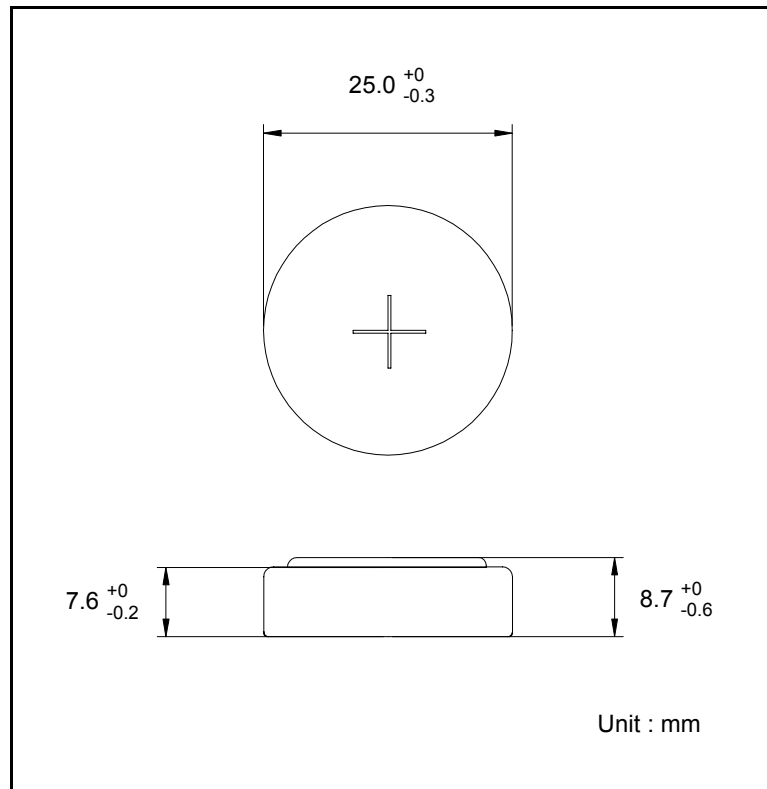


# GP Batteries

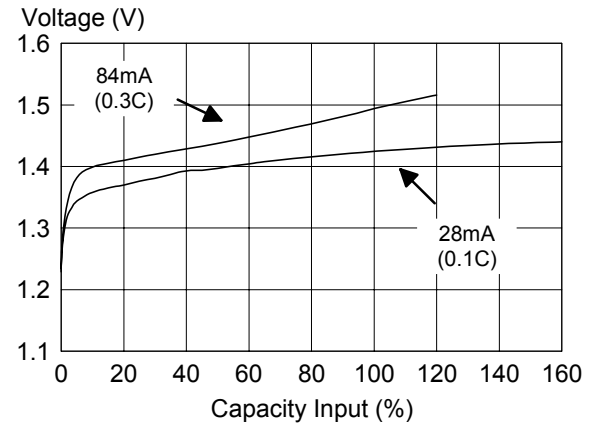
## Data Sheet

Model No.: GP280BVH

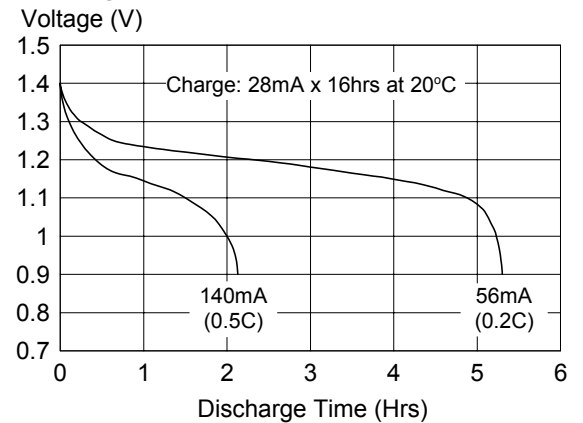
Type	: Rechargeable Nickel Metal Hydride Button Cell		
Nominal Dimension	: $\Phi = 25.0\text{mm}$ H = 8.7mm		
Applications	: Recommended discharge current 2.8 to 140mA		
Nominal Voltage	: 1.2V		
Capacity	: Minimum : 280mAh Typical : 295mAh when discharge a 0.2C to 1.0V at 20°C		
Charging Condition	: 28mA for 16hrs at 20°C		
Service Life	: >500 cycles (IEC standard)		
Continuous Overcharge	: 28mA maximum current for 1 year No conspicuous deformation and/or leakage		
Weight	: 12.6g		
Internal Resistance	: Under 200m $\Omega$ upon fully charged		
Max. Charging Voltage	: 1.5V at 28mA charging		
Ambient Temperature Range	Standard Charging	:	0 to 45°C
	Discharging	:	0 to 45°C
	Storage	:	-20 to 45°C



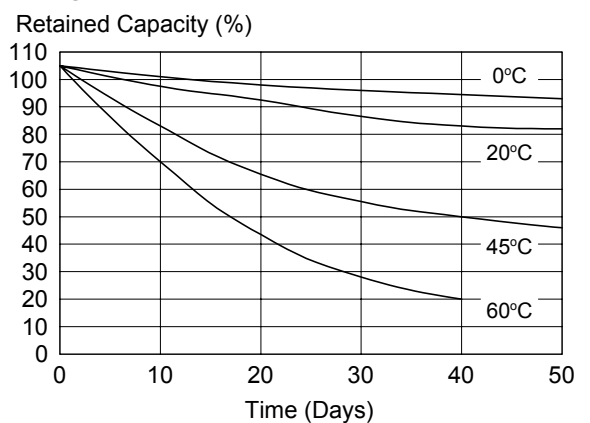
### Charge Characteristics



### Discharge Characteristics



### Charge Retention Characteristics



\* The information (subject to change without prior notice) contained in this document is for reference only and should not be used as a basis for product guarantee or warranty. For applications other than those described here, please consult your nearest GP Sales and Marketing Office or Distributors.