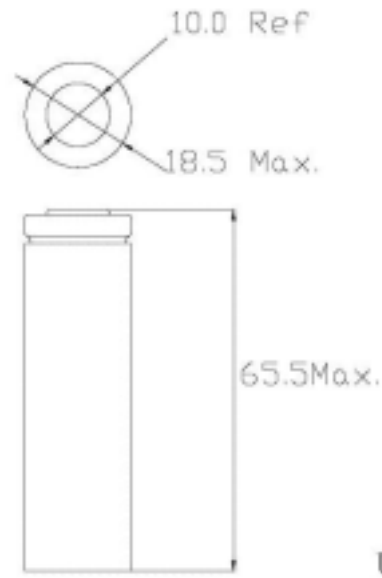
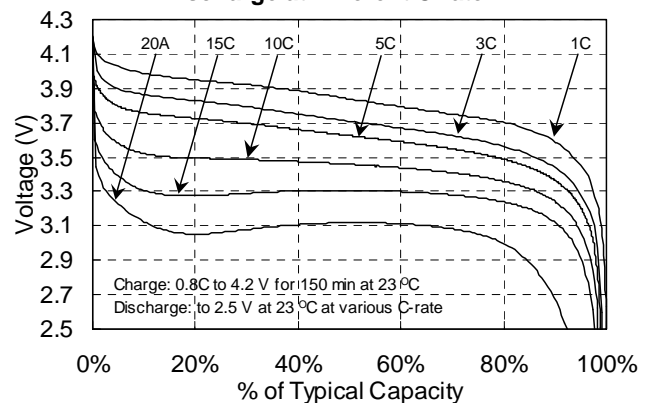


| | |
|---|--|
| Type | : Rechargeable Lithium Ion Cylindrical Cell |
| Nominal Dimension (with sleeve) | : = 18.5 mm * H = 65.5 mm |
| Applications | : Recommended discharge current 220 mA to 20 A |
| Nominal Voltage | : 3.8 V |
| Capacity | : Typical: 1100 mAh Minimum: 1000 mAh When discharged at 550 mA to 2.5 V at 23 °C |
| Charging Condition | : 880 mA to 4.2 V for 2.5 hrs at 23 °C |
| Recommended Charging Condition in Applications | : 880 mA to 1650 mA (0.8 to 1.5C) Charge termination control recommended control parameters: Taper current 0.05C at 4.2 V |
| Clamped Charging Voltage | : 4.2 V +/- 0.05 V |
| Service Life | : >500 cycles (70% of typical capacity) |
| Weight | : Approx. 44.0 g |
| Internal Resistance | : 25 mΩ max. at 1000 Hz |
| Ambient Temperature Range | : Charging : 0 to 45 °C Discharging : -20 to 60 °C ** Storage (2 weeks) : -20 to 45 °C Storage (3 months) : -20 to 40 °C Storage (6 months) : -20 to 35 °C |
| Note Precaution | : * with plastic sleeve ** 60 °C is only applied during 1C or lower discharging current |

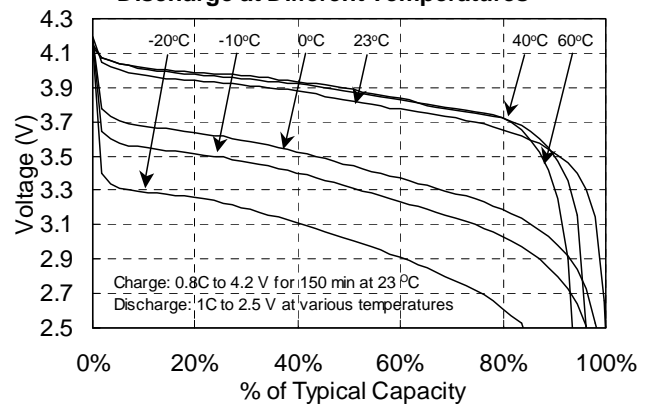
Model No.: **GP1865M110**



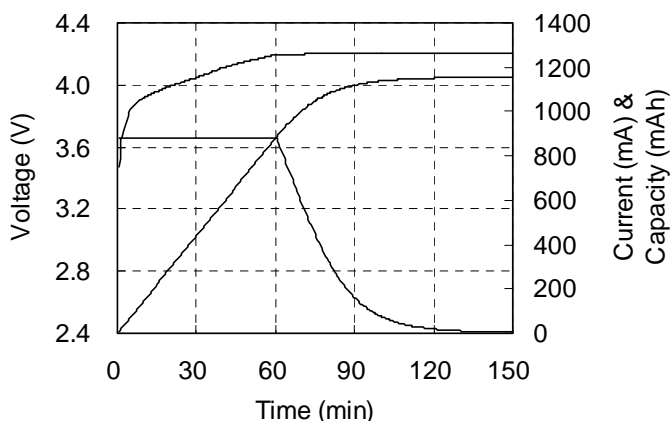
Discharge at Different C-rate



Discharge at Different Temperatures



Charging Characteristics



The information (subject to change without prior notice) contained in this document is for reference only and should not be used as a basis for product guarantee or warranty. For applications other than those described here, please consult your nearest GP Sales and Marketing Office or Distributors.

For detail information, please refer to the relevant product specification.

YRS2123 rev.02