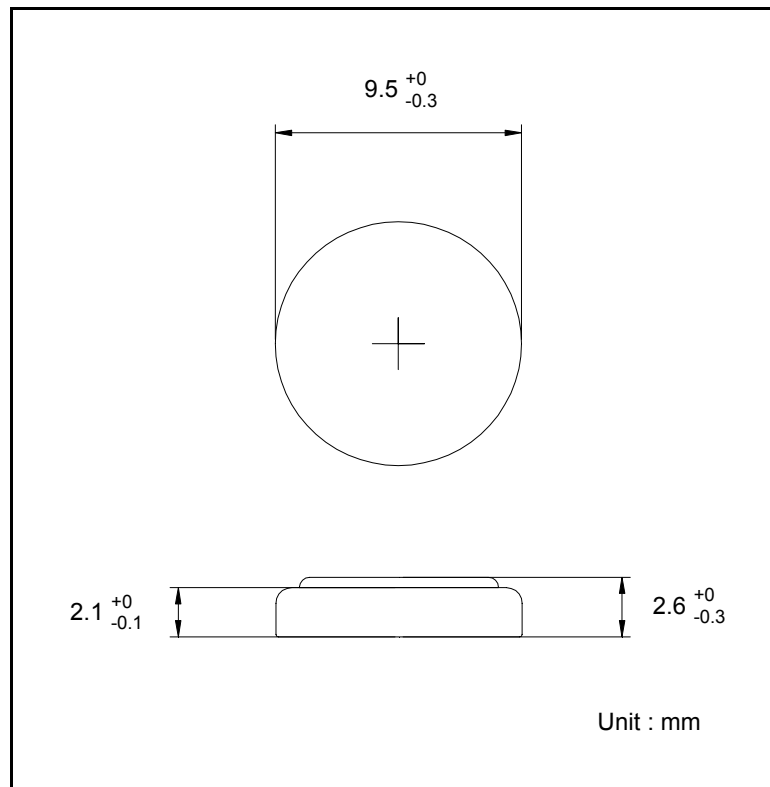


GP Batteries

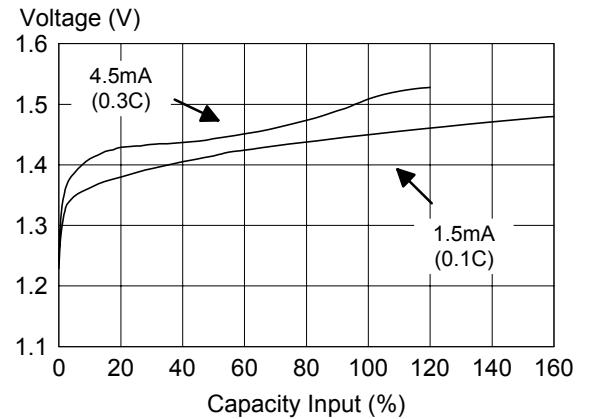
Data Sheet

Model No.: GP15BNH

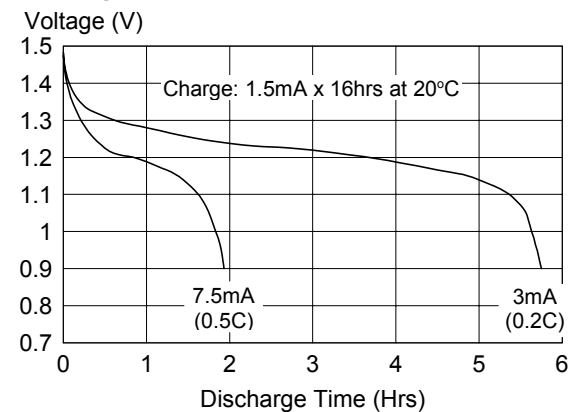
| | | |
|---------------------------|--|---------------|
| Type | : Rechargeable Nickel Metal Hydride Button Cell | |
| Nominal Dimension | : $\Phi = 9.5\text{mm}$ H = 2.6mm | |
| Applications | : Recommended discharge current 0.15 to 7.5mA | |
| Nominal Voltage | : 1.2V | |
| Capacity | : Minimum : 15mAh Typical : 16mAh when discharge at 0.2C to 1.0V at 20°C | |
| Charging Condition | : 1.5mA for 16hrs at 20°C | |
| Service Life | : >500 cycles (IEC standard) | |
| Continuous Overcharge | : 1.5mA maximum current for 1 year No conspicuous deformation and/or leakage | |
| Weight | : 0.7g | |
| Internal Resistance | : Under 2 Ω upon fully charged | |
| Max. Charging Voltage | : 1.5V at 1.5mA charging | |
| Ambient Temperature Range | Standard Charging | : 0 to 65°C |
| | Discharging | : -20 to 65°C |
| | Storage | : -40 to 65°C |



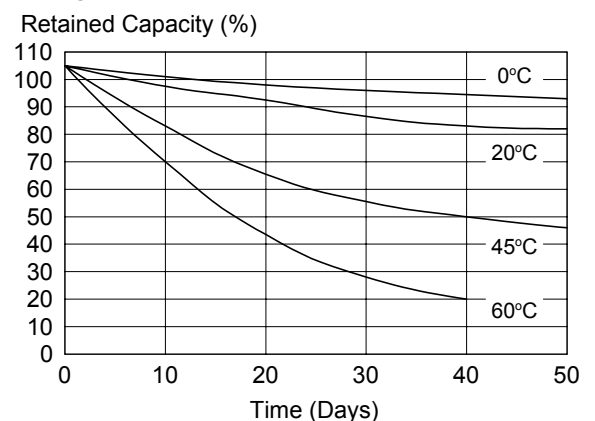
Charge Characteristics



Discharge Characteristics



Charge Retention Characteristics



* The information (subject to change without prior notice) contained in this document is for reference only and should not be used as a basis for product guarantee or warranty. For applications other than those described here, please consult your nearest GP Sales and Marketing Office or Distributors.