

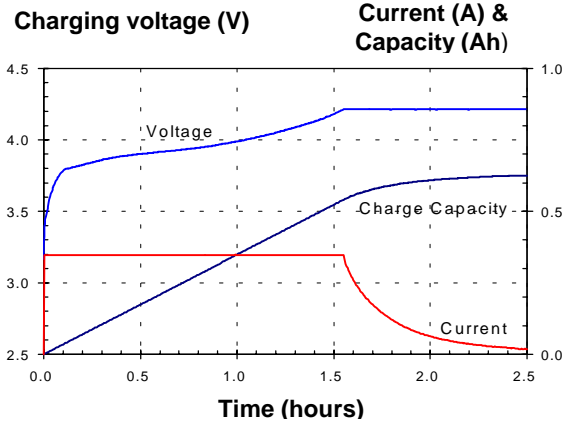
GP Batteries

Data Sheet

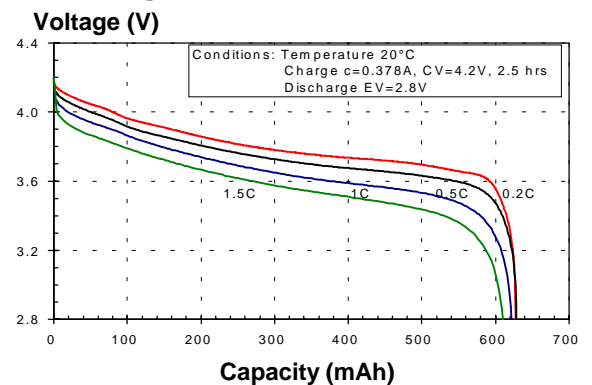
Model No.: GP1443L63

| | | | |
|---------------------------------|--|---|-------------|
| Type | Rechargeable Lithium Ion Cylindrical Cell | | |
| Nominal Dimension (with Sleeve) | Φ =14.0 mm max H =43.0 mm max | | |
| Discharge current | Recommended discharge current 126 to 630 mA | | |
| Nominal Voltage | 3.7V | | |
| Capacity | Typical: 630 mAh (20°C) Minimum: 600 mAh | | |
| Standard Charge | 378 mA to 4.20 volt for 2.5 hrs at 20°C | | |
| Standard Discharge | 126 mA to 2.8V | | |
| Service Life | 500 cycles (70% of initial capacity) | | |
| Weight | Approx. 16 g | | |
| Internal Resistance | 130 mΩ max (at 1000Hz) | | |
| Max. Charge Voltage | 4.20V | | |
| Ambient Temperature Range | Charge: | : | 0 to 45°C |
| | Discharge: | : | -30 to 60°C |
| | Storage: | : | -20 to 45°C |

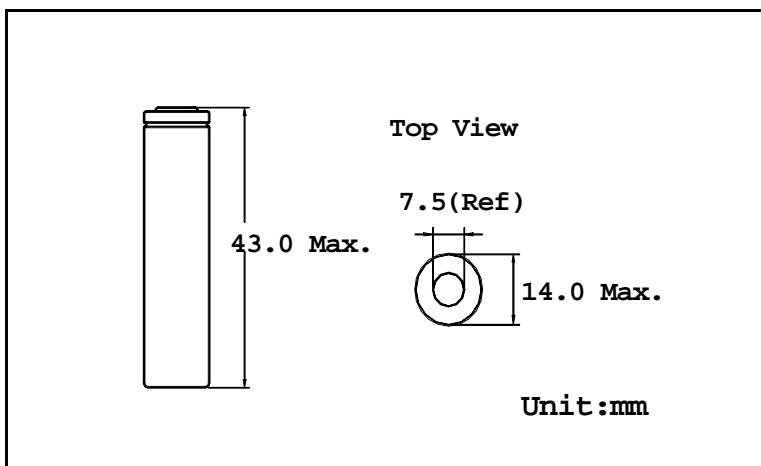
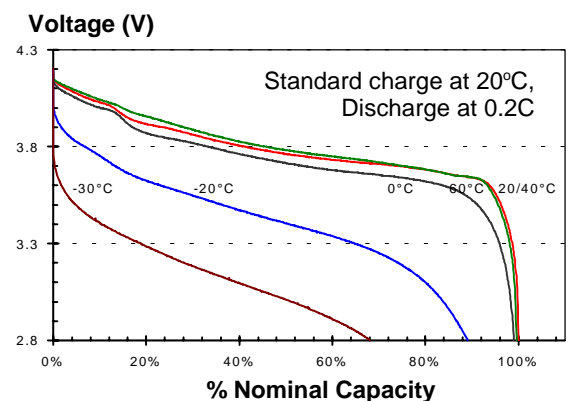
Charging Characteristics



Discharge Characteristics



Discharge Temperature Characteristics



* The information (subject to change without prior notice) contained in this document is for reference only and should not be used as a basis for product guarantee or warranty. For applications other than those described here, please consult your nearest GP Sales and Marketing Office or Distributors.