

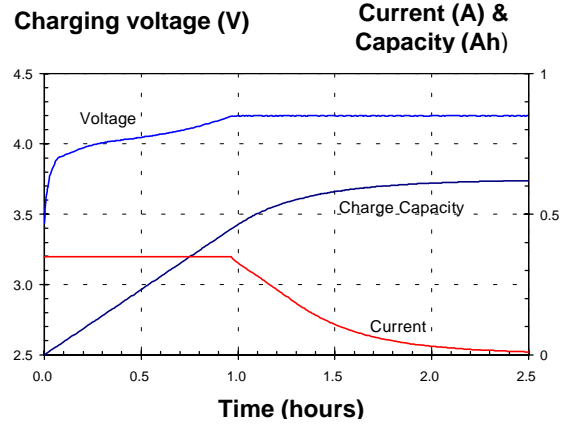
# GP Batteries

## Data Sheet

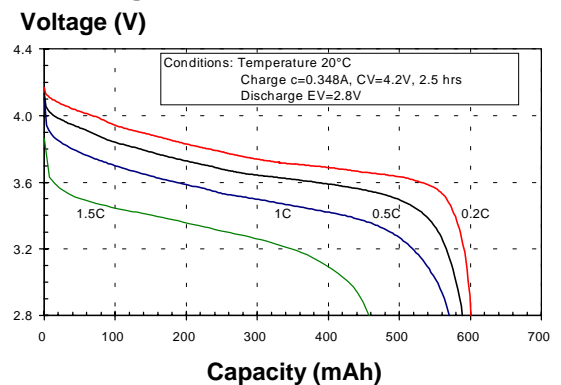
Model No.: GP1443L58

Type	Rechargeable Lithium Ion Cylindrical Cell		
Nominal Dimension (with Sleeve)	Φ =14.0 mm max H =43.0 mm max		
Discharge current	Recommended discharge current 116 to 580 mA		
Nominal Voltage	3.7V		
Capacity	Typical: 580 mAh (20°C) Minimum: 550 mAh		
Standard Charge	348 mA to 4.20 volt for 2.5 hrs at 20°C		
Standard Discharge	116 mA to 2.8V		
Service Life	500 cycles (70% of initial capacity)		
Weight	Approx. 16 g		
Internal Resistance	130 mΩ max (at 1000Hz)		
Max. Charge Voltage	4.20V		
Ambient Temperature Range	Charge:	:	0 to 45°C
	Discharge:	:	-20 to 60°C
	Storage:	:	-20 to 45°C

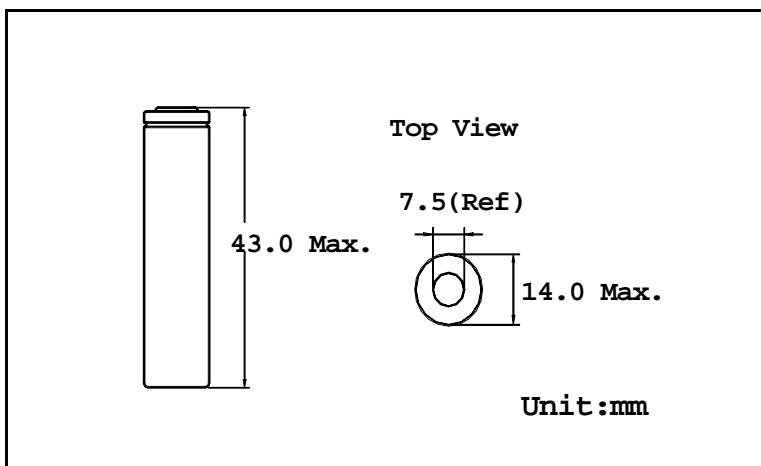
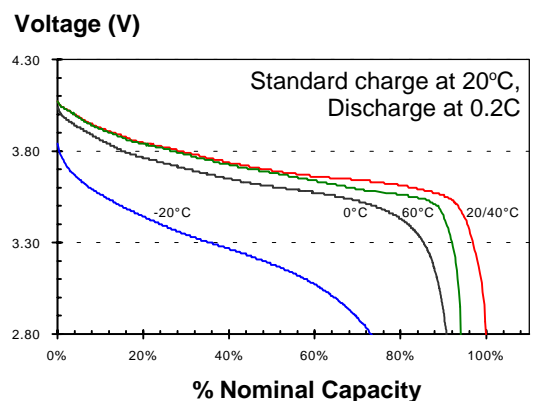
### Charging Characteristics



### Discharge Characteristics



### Discharge Temperature Characteristics



\* The information (subject to change without prior notice) contained in this document is for reference only and should not be used as a basis for product guarantee or warranty. For applications other than those described here, please consult your nearest GP Sales and Marketing Office or Distributors.